



AC AXIAL & DC BRUSHLESS FANS FOR COOLING & AIR MOVING



VALAKI INDUSTRIES

143/9, GIDC MAKARPURA, VADODARA-390010, GUJARAT, INDIA.

MO : 8758710614 | EMAIL : valakiindustries@gmail.com | www.valakiindustries.com



COMPANY PROFILE

About us

REXCOOL is a Leading Position as a Manufacturer & Supplier & Exporters of AC Axial Fan to Compete in Price with Quality Products.

Our Vision

That is why our solutions combine customer value, intelligence and efficiency in new ways - and in the most resource-efficient way possible.

Our Values

They make us unique. Efficiency is evident in our solutions, our communication, agile processes and goal-oriented actions. Enthusiasm and passion unite the REXCOOL family across all regions and generations.

We inspire each other and enjoy working together. This is characterised by empathy, integrity, reliability and respectful interaction. Diversity and inclusion are cornerstones of our colourful culture. For us, this is summed up by the value of humanity.

Quality Policy

Quality Management System of Rexcool is Based on ISO 9001 - 2015 Requirement & Risk Oriented Thinking.

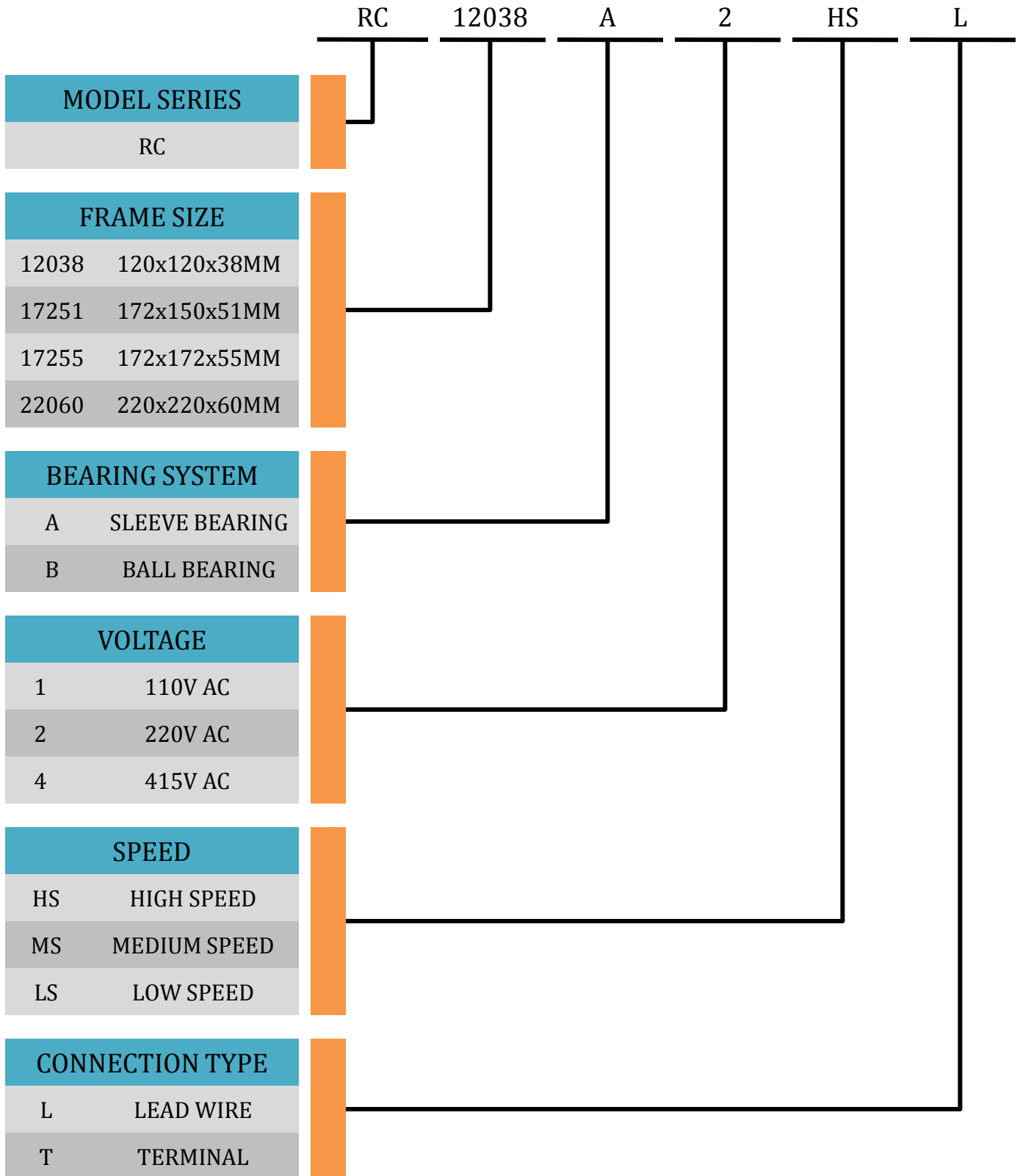
We are Manufacturing International Standard Low Cost & High Quality Cooling Fan.

We are also Reviewing are Process of Manufacturing & Marketing on Daily Basis to Meet are Customer Requirements.





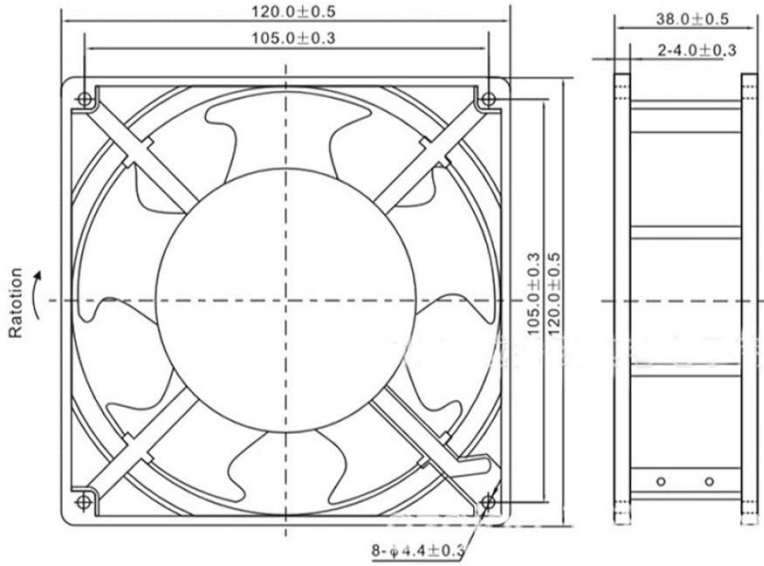
MODEL NUMBERING SYSTEM





COOLING FAN AC AXIAL FAN

FAN SIZE - 120 X 120 X 38MM

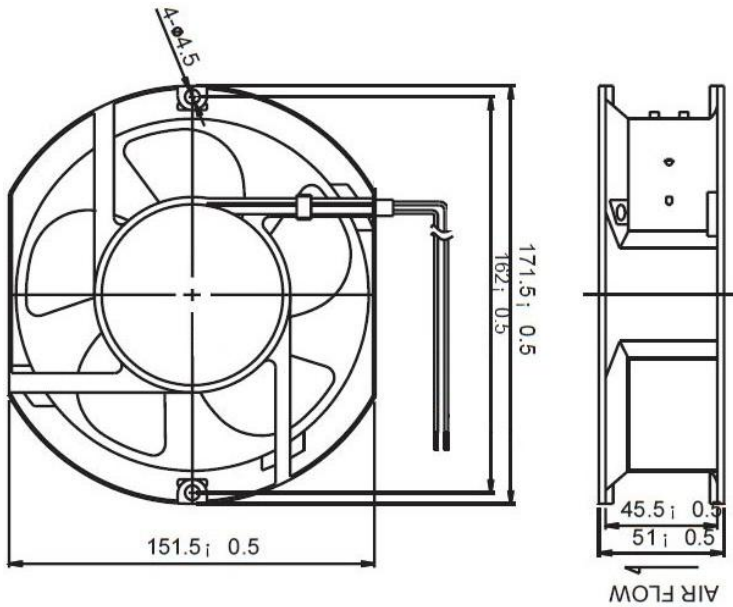


MODEL	BEARING	VOLTAGE VAC	FREQUENCY Hz	CURRENT A	SPEED RPM	INPUT POWER W	AIR FLOW CFM	STATIC PRESSURE MM C2O	NOISE dBA
RC-12038A1HSL	Sleeve	110/115	50/60	0.20/0.22	2550/2650	11/14	90/105	8.1/9.5	41/47
RC-12038A1HST	Sleeve	110/115	50/60	0.20/0.22	2550/2650	11/14	90/105	8.1/9.5	41/47
RC-12038B1HSL	Ball	110/115	50/60	0.18/0.20	2650/2850	11/14	90/105	8.1/9.5	41/47
RC-12038B1HST	Ball	110/115	50/60	0.18/0.20	2650/2850	11/14	90/105	8.1/9.5	41/47
RC-12038A2HSL	Sleeve	220/230	50/60	0.09/0.11	2550-2750	14/18	90/105	8.1/9.5	41/47
RC-12038A2HST	Sleeve	220/230	50/60	0.09/0.11	2550-2750	14/18	90/105	8.1/9.5	41/47
RC-12038B2HSL	Ball	220/230	50/60	0.08/0.10	2650-2850	14/18	90/105	8.1/9.5	41/47
RC-12038B2HST	Ball	220/230	50/60	0.08/0.10	2650-2850	14/18	90/105	8.1/9.5	41/47
RC-12038A4HSL	Sleeve	415	50/60	0.06/0.08	2550/2750	18/20	90/105	8.1/9.5	41/47
RC-12038A4HST	Sleeve	415	50/60	0.06/0.08	2550/2750	18/20	90/105	8.1/9.5	41/47
RC-12038B4HSL	Ball	415	50/60	0.05/0.07	2650/2850	18/20	90/105	8.1/9.5	41/47
RC-12038B4HST	Ball	415	50/60	0.05/0.07	2650/2850	18/20	90/105	8.1/9.5	41/47



COOLING FAN AC AXIAL FAN

FAN SIZE - 172 X 150 X 51MM

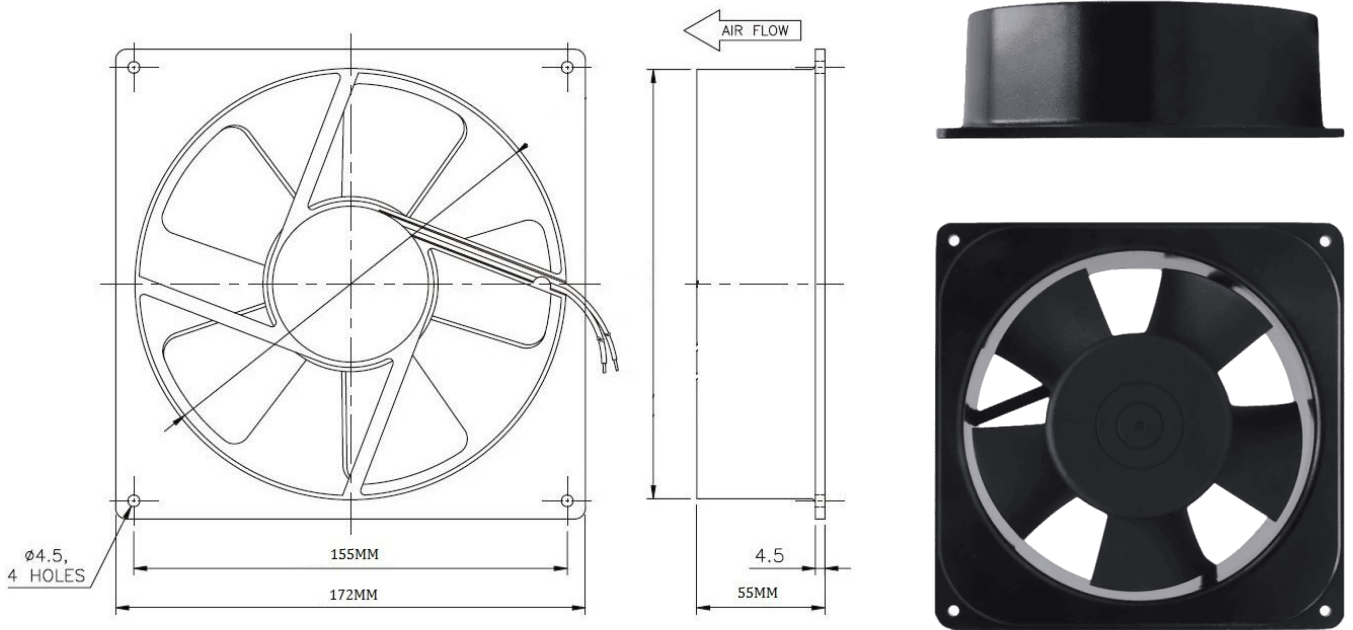


MODEL	BEARING	VOLTAGE VAC	FREQUENCY Hz	CURRENT A	SPEED RPM	INPUT POWER W	AIR FLOW CFM	STATIC PRESSURE MM C2O	NOISE dBA
RC-17251A1HSL	Sleeve	110/115	50/60	0.40/0.45	2550/2650	29/34	175/220	15/22	48/53
RC-17251A1HST	Sleeve	110/115	50/60	0.40/0.45	2550/2650	29/34	175/220	15/22	48/53
RC-17251B1HSL	Ball	110/115	50/60	0.40/0.45	2650/2750	29/34	175/220	15/22	48/53
RC-17251B1HST	Ball	110/115	50/60	0.40/0.45	2650/2750	29/34	175/220	15/22	48/53
RC-17251A2HSL	Sleeve	220/230	50/60	0.19/0.21	2550-2650	27/31	175/220	15/22	48/53
RC-17251A2HST	Sleeve	220/230	50/60	0.19/0.21	2550-2650	27/31	175/220	15/22	48/53
RC-17251B2HSL	Ball	220/230	50/60	0.19/0.21	2650-2750	27/31	175/220	15/22	48/53
RC-17251B2HST	Ball	220/230	50/60	0.19/0.21	2650-2750	27/31	175/220	15/22	48/53
RC-17251A4HSL	Sleeve	415	50/60	0.11/0.13	2550/2650	29/35	175/220	15/22	48/53
RC-17251A4HST	Sleeve	415	50/60	0.11/0.13	2550/2650	29/35	175/220	15/22	48/53
RC-17251B4HSL	Ball	415	50/60	0.11/0.13	2650/2750	29/35	175/220	15/22	48/53
RC-17251B4HST	Ball	415	50/60	0.11/0.13	2650/2750	29/35	175/220	15/22	48/53



COOLING FAN AC AXIAL FAN

FAN SIZE - 172 X 172 X 55MM

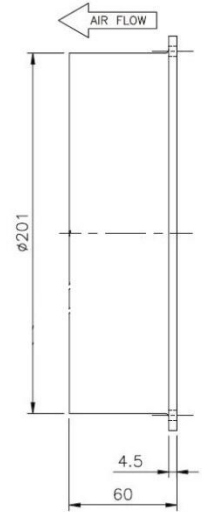
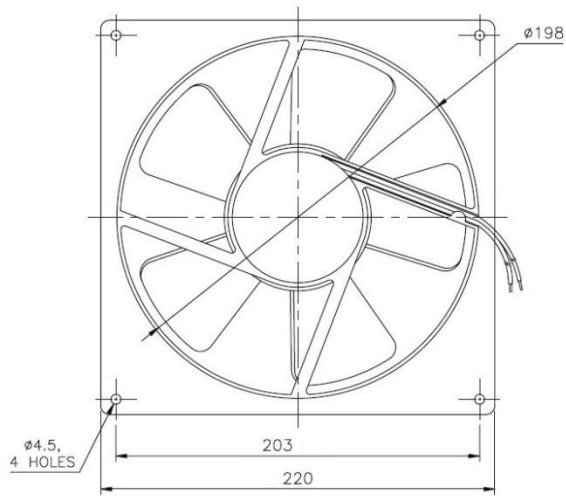


MODEL	BEARING	VOLTAGE VAC	FREQUENCY Hz	CURRENT A	SPEED RPM	INPUT POWER W	AIR FLOW CFM	STATIC PRESSURE MM C2O	NOISE dBA
RC-17255A1HSL	Sleeve	110/115	50/60	0.40/0.45	2550/2650	29/34	175/220	15/22	48/53
RC-17255A1HST	Sleeve	110/115	50/60	0.40/0.45	2550/2650	29/34	175/220	15/22	48/53
RC-17255B1HSL	Ball	110/115	50/60	0.40/0.45	2650/2750	29/34	175/220	15/22	48/53
RC-17255B1HST	Ball	110/115	50/60	0.40/0.45	2650/2750	29/34	175/220	15/22	48/53
RC-17255A2HSL	Sleeve	220/230	50/60	0.19/0.21	2550-2650	27/31	175/220	15/22	48/53
RC-17255A2HST	Sleeve	220/230	50/60	0.19/0.21	2550-2650	27/31	175/220	15/22	48/53
RC-17255B2HSL	Ball	220/230	50/60	0.19/0.21	2650-2750	27/31	175/220	15/22	48/53
RC-17255B2HST	Ball	220/230	50/60	0.19/0.21	2650-2750	27/31	175/220	15/22	48/53
RC-17255A4HSL	Sleeve	415	50/60	0.11/0.13	2550/2650	29/35	175/220	15/22	48/53
RC-17255A4HST	Sleeve	415	50/60	0.11/0.13	2550/2650	29/35	175/220	15/22	48/53
RC-17255B4HSL	Ball	415	50/60	0.11/0.13	2650/2750	29/35	175/220	15/22	48/53
RC-17255B4HST	Ball	415	50/60	0.11/0.13	2650/2750	29/35	175/220	15/22	48/53



COOLING FAN AC AXIAL FAN

FAN SIZE - 220 X 220 X 60MM



MODEL	BEARING	VOLTAGE VAC	FREQUENCY Hz	CURRENT A	SPEED RPM	INPUT POWER W	AIR FLOW CFM	STATIC PRESSURE MM C2O	NOISE dBA
RC-22060A1HSL	Sleeve	110/115	50/60	0.65/0.70	2550/2650	47/52	350/450	23/30	54/56
RC-22060A1HST	Sleeve	110/115	50/60	0.65/0.70	2550/2650	47/52	350/450	23/30	54/56
RC-22060B1HSL	Ball	110/115	50/60	0.65/0.70	2650/2750	47/52	350/450	23/30	54/56
RC-22060B1HST	Ball	110/115	50/60	0.65/0.70	2650/2750	47/52	350/450	23/30	54/56
RC-22060A2HSL	Sleeve	220/230	50/60	0.32/0.40	2550-2650	48/60	350/450	23/30	54/56
RC-22060A2HST	Sleeve	220/230	50/60	0.32/0.40	2550-2650	48/60	350/450	23/30	54/56
RC-22060B2HSL	Ball	220/230	50/60	0.32/0.40	2650-2750	48/60	350/450	23/30	54/56
RC-22060B2HST	Ball	220/230	50/60	0.32/0.40	2650-2750	48/60	350/450	23/30	54/56
RC-22060A4HSL	Sleeve	415	50/60	0.16/0.20	2550/2650	43/54	350/450	23/30	54/56
RC-22060A4HST	Sleeve	415	50/60	0.16/0.20	2550/2650	43/54	350/450	23/30	54/56
RC-22060B4HSL	Ball	415	50/60	0.16/0.20	2650/2750	43/54	350/450	23/30	54/56
RC-22060B4HST	Ball	415	50/60	0.16/0.20	2650/2750	43/54	350/450	23/30	54/56

APPLICATIONS

- PCC & MCC PANEL
- CONTROL PANEL
- DRIVE
- UPS
- CNC MACHINE
- WINDING MACHINE
- WELDING MACHINE
- INVERTER
- MOLDING MACHINE
- AMPLIFIER
- WATER COOLER
- COMPUTER
- SMPS
- SWITCH GEAR MACHINE
- OFFICE
- BATHROOM
- KITCHEN
- STABILIZER
- COMMERCIAL REFRIGERATOR
- MOTOR
- MACHINE
- COFFEE MACHINE
- LASER MACHINE
- ELECTRONICS PANEL
- MORE APPLICATIONS

